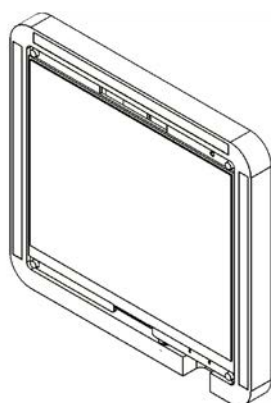


# MESHLE QR-Display – E-Ink QR-Code Display for MESHLE Guest Control

## Model MQR-100



FC CE RoHS LVD RED

The MESHLE QR-Display is an e-paper display that generates a temporary QR code. When scanned, users gain access to the Bluetooth Mesh network in which the QR-Display is configured. This access is web-based and does not require app installation. Note: The MESHLE Gateway and an internet connection are required for the display to function correctly.



The display is ideal for use in hotel rooms, allowing guests to control their smart room, or for exhibition displays where visitors can scan the QR code and control IoT products compatible with MESHLE.

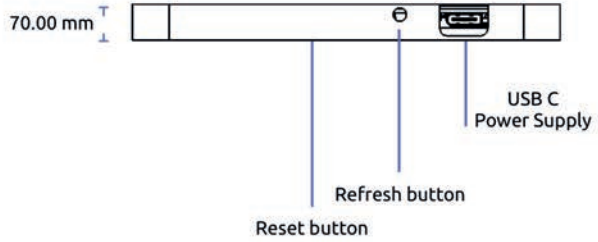
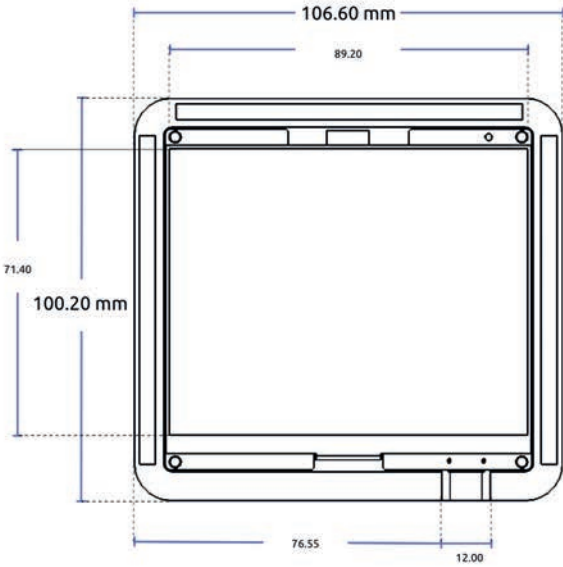
## Features

- Large 4.2 E-Ink Display
- Simple configuration via Bluetooth
- Works as a regular Bluetooth Mesh node, relaying all mesh commands into the mesh network
- Secure communication – all communication is encrypted
- USB-C power supply

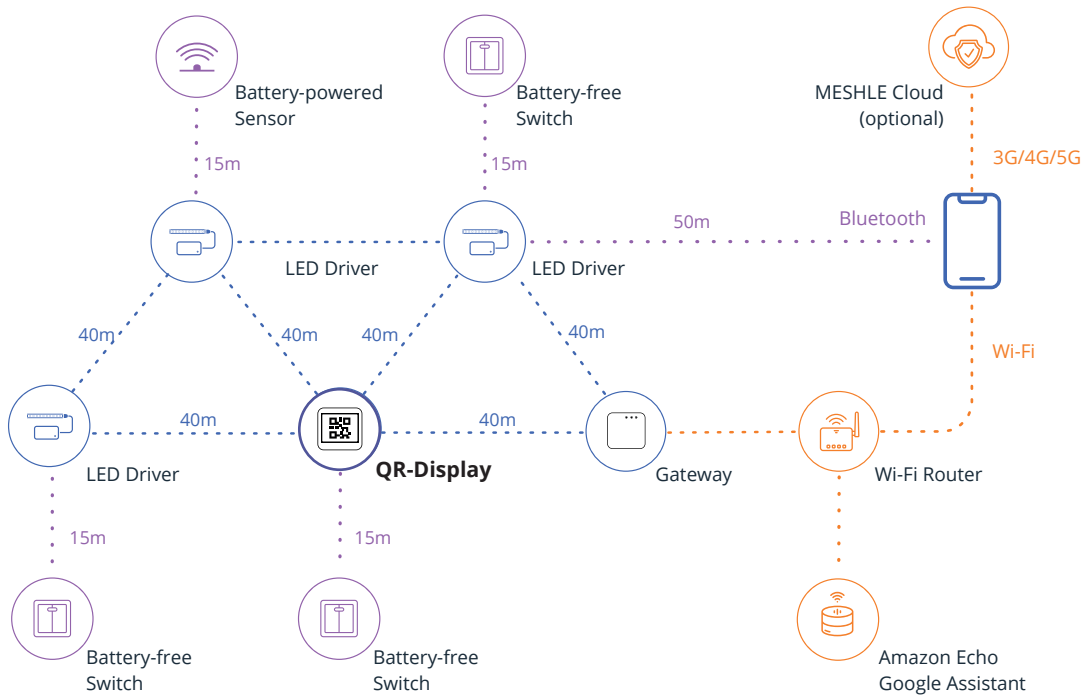
## Technical Parameters

Physical characteristics		RF characteristics	
Button	Reset (back side), Refresh (bottom side)	<b>Specification</b>	Bluetooth
Input voltage	USB-C 5V DC	Wireless frequency	2.402-2.480 GHz
Input current	<1A	Transmitting power	+8dBm
Operation temperature	-10° ... +55°	Signal channels	CH37
Operation humidity	10% ... 90% RH(noncondensable)	Transmitting Rate	Bluetooth 5: 2 Mbps, 1 Mbps, 500 kbps, 125 kbps
Wireless technology	Bluetooth- single point / -mesh	FCC	SH6MDBT50Q
Type of antenna	Built in on-board antenna	IC	8017A-MDBT50Q

# Technical Specifications



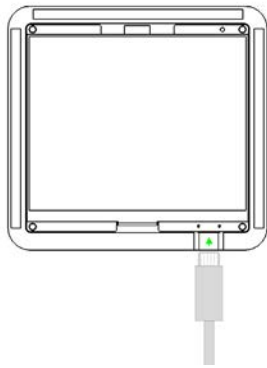
# System Example



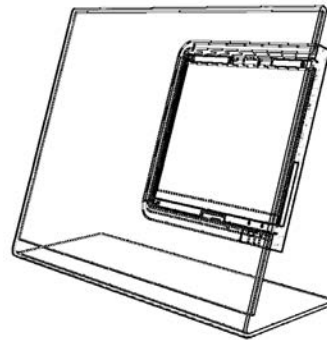
All MESHLE products and all devices labeled "Works with MESHLE" are compatible with each other and can be configured, managed and controlled via MESHLE App. Connection to the Cloud via MESHLE Gateway (optional). User can connect already existing Bluetooth mesh network to the MESHLE Cloud via MESHLE Gateway. This enables additional functions such as remote and voice control.

## Wiring Diagram

### Power Supply



5V DC USB C



Stick QR-Code display behind any glas

## Bluetooth Mesh Network Setup

### New network

QR-Code display can only be installed in already configured Bluetooth Mesh network with MESHLE Gateway



Video Tutorial

### Existing network

If new device have to be added to existing network follow the steps below:

1. Download MESHLE App and allow all required permissions and press "Start".
2. Select existing network and enter the network password once requested
3. After joining the network press plus button in the bottom right corner of the app and select "Device"
4. Power up the QR-Dispaly, now it should be listed in the search view of the app
5. Select the listed item and follow the instructions to configure the controller (see screenshots on the next page)



Video Tutorial

## Factory Reset

### Device

1. Hold the reset button for 4 seconds.

### Network

In order to delete the network, all of the devices configured in this network must be reseted to factory settings.

# App Screens

