

PRODUCT DATA SHEET



MESHLE flex PRO 5683-2

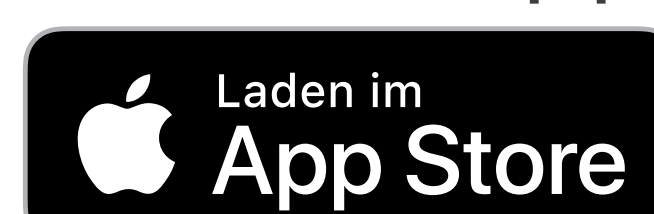
4-Channel Smart Bluetooth RGB/ RGBW/ CCT/ Single Color LED Controller



Product description

MESHLE flex PRO Smart Bluetooth LED Controller is a control module for LED light strips of various types. The output channels of MESHLE flex PRO can be reprogrammed flexibly, depending on the type of LED strips. Thus, RGBW, RGB, CCT, single color LED light strips can be connected to the controller. Configuration and operation is done via MESHLE app, where you can set colors, scenes, animations, timers and many other features. No wifi, hubs or other hardware is required. The controller is ready to use immediately after it has been connected. Each MESHLE flex controller automatically connects to another controller via Bluetooth, creating a Bluetooth mesh network. In this network, the controllers can be operated individually or in a group via smartphone.

Full control via MESHLE App



Technical data

Suitable for illuminants	analogue LED RGB/ RGBW/ CCT/ Single Color LED light strips
Connected load	max. 360W
Operating voltage	12-24 Volt, 6A per Channel (max. 15A)
Technology	MESHLE Bluetooth Mesh
Connectors	Screw terminals + DC power connector 5.5/2.1mm
Radio range outdoor	20-30 meters
Radio range indoor	10-15 meters
Color	white
Dimensions	140mm x 38mm x 20mm
Protection class	IP23 not suitable for outdoor

Delivery includes: 1x control unit

All MESHLE-enabled devices are compatible with each other and can be configured, managed and controlled via MESHLE app.

PRODUCT DATA SHEET

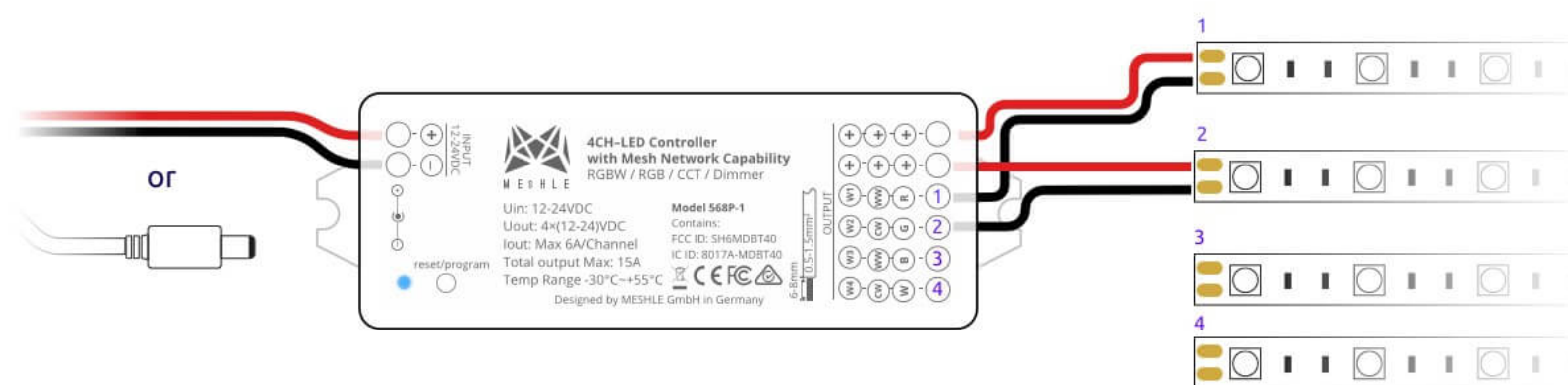


MESHLE flex PRO 5683-2

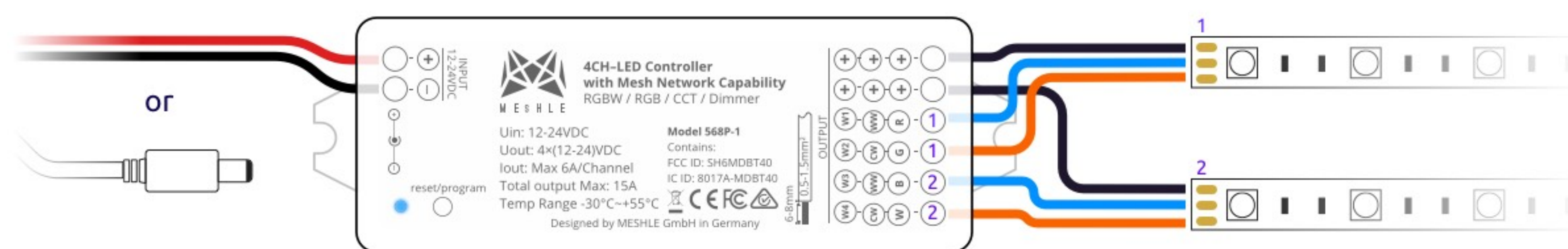
4-Channel Smart Bluetooth RGB/ RGBW/ CCT/ Single Color LED Controller

Connection:

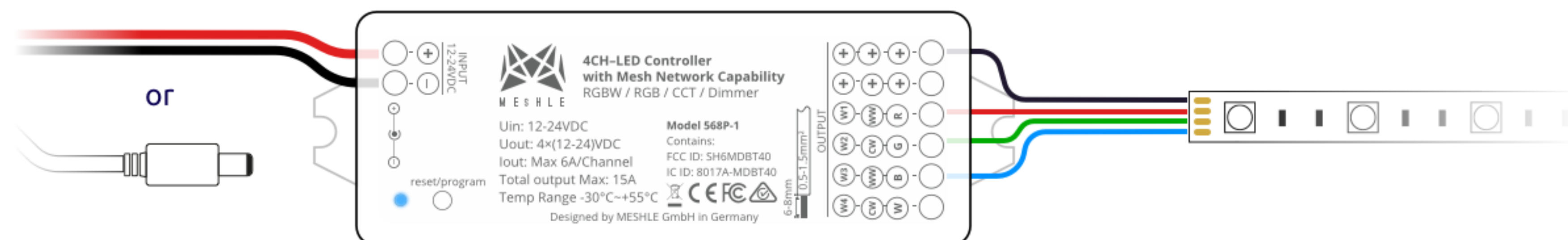
1. Connection diagram for single color LED light strips:



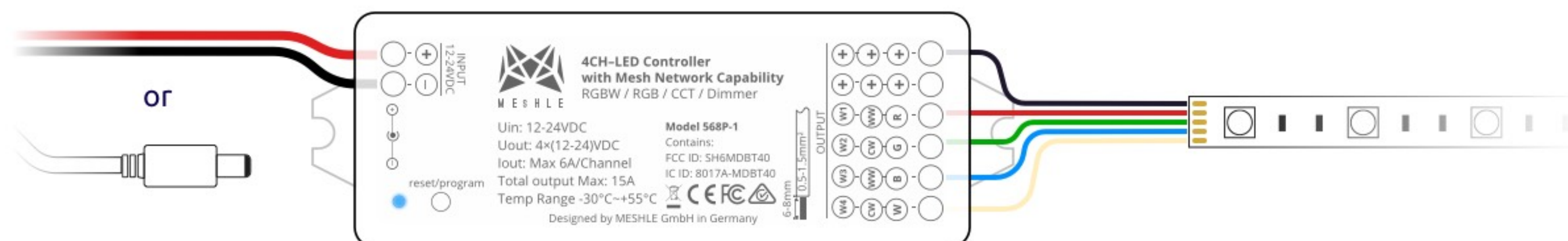
2. Connection diagram for warm/cold white LED light strips:



3. Connection diagram for RGB LED light strips:

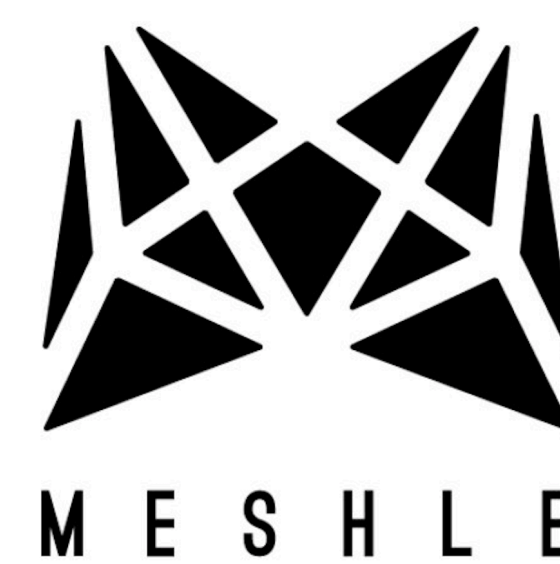


4. Connection diagram for RGBW LED light strips:



*It is important that the voltage of the LED strip matches the voltage of the power supply, e.g. for a 12V LED strip you need a 12V power supply, for a 24V LED strip you need a 24V power supply. The power supply must provide sufficient watts. (e.g. For a 2m LED strip with 23 watts/m the power supply must have min. $23 \times 2 = 46$ watts). The max. load of the controller of 15A, at 24V or 360W must not be exceeded.

CONFIGURATION



MESHLE flex PRO 5683-2

4-Channel Smart Bluetooth RGB/ RGBW/ CCT/ Single Color LED Controller



IMPORTANT: The reprogramming of the controller (between RGB/ RGBW/ CCT/ Single Color) can only be performed when the device has been reset to factory settings (hold reset button for 10 seconds).

Step 1. Activate the programming mode:

Hold reset button for 3 seconds, the indicator light on the controller will start flashing. The number of short blink repetitions shows the current mode of the controller. E.g. 4x means (4-channel mode) the controller is in RGBW mode, 3x (3-channel mode) RGB, 2x (2-channel), 1x (1-channel).

Step 2. Select mode:

With a short button press, you can switch between the individual modes and thus select the desired mode.

Step 3. Confirm mode:

After the selection has been made, it must be confirmed by holding the reset button for 3 seconds. The controller flashes once and exits the programming mode.

Reset to factory settings:

Hold the reset button for **3 seconds**. Important, the settings of the output channels (RGBW/ RGB/ CCT/ Single Color) will not be deleted. Only the customer settings are deleted.

In order to reset the output channels to the factory setting (RGBW), the reset button must be held for **10 seconds**.

Bluetooth Mesh

with an optional connection to the cloud via MESHLE Gateway

Technology:

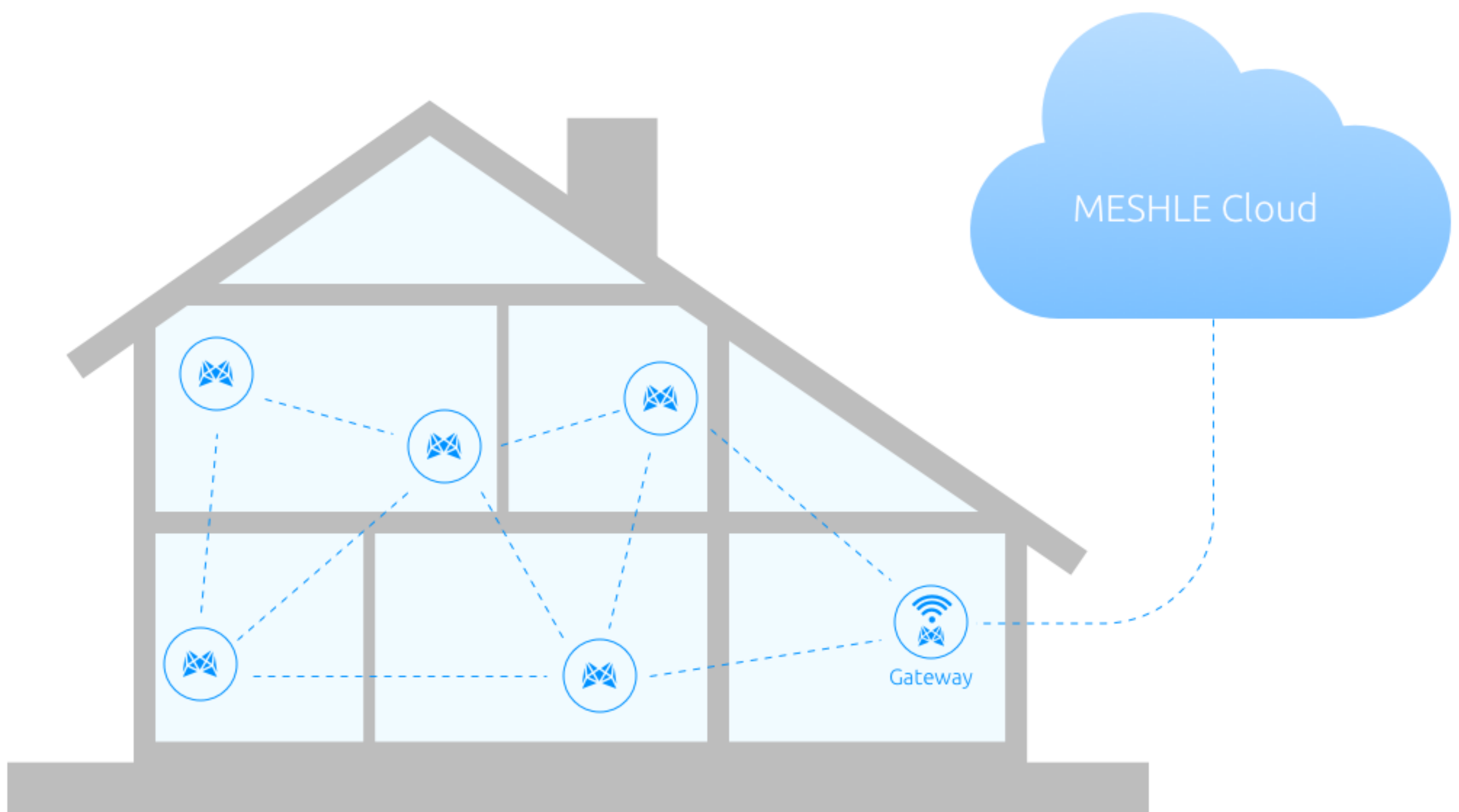
All MESHLE products and all MESHLE-enabled devices are based on Bluetooth mesh technology and can be controlled directly via a smartphone or tablet using Bluetooth in the MESHLE app. There is no need for an internet connection, central station, WLAN router or additional cabling. All devices operate independently and automatically create a network among each other. Multiple networks with devices can be created and individually protected with a password.



All MESHLE products and all devices labeled "Works with MESHLE" are compatible with each other and can be configured, managed and controlled via MESHLE App.

Connection to the Cloud via MESHLE Gateway (optional):

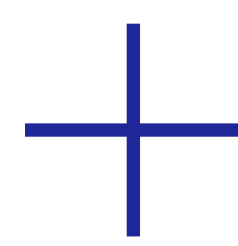
There is an option to connect already existing Bluetooth mesh network to the MESHLE Cloud via MESHLE Gateway. This enables additional functions such as remote and voice control.



COMPATIBLE



with battery-free EnOcean switches



MESHLE flex **PRO 568P-2**

